



C.R.I. PUMPS

Pumping trust. Worldwide.



WD SERIES WELLPOINT DEWATERING PUMP

APPLICATIONS

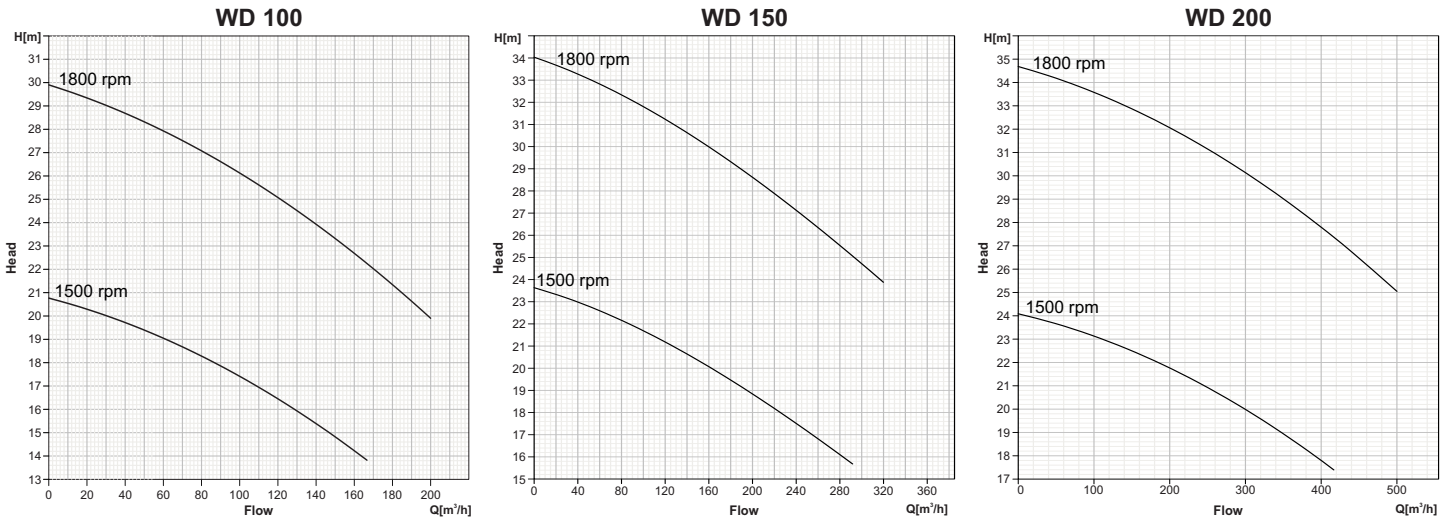
- Municipal / Utility
- Flood Control
- Marine
- Mining
- Dewatering
- Civil Construction

WD series skid mounted wellpoint and general-purpose dewatering pumps are designed to handle raw water, muddy water, sewage and liquid with semi solids. The state of the art manufacturing facility and quality process ensure trouble free products for long life. These pumps are equipped with vacuum pump and priming tank for automatic self-priming and re-priming action. The fuel tank is designed to give uninterrupted fuel supply for 24 hours operation. These pumps are offered with off high way four-wheel solid rubber tyres. The custom-made double mechanical seal in pump provides perfect sealing and leak free operation .The oil bath type stuffing box ensure the durability of mechanical seal and dry run during initial start-up.

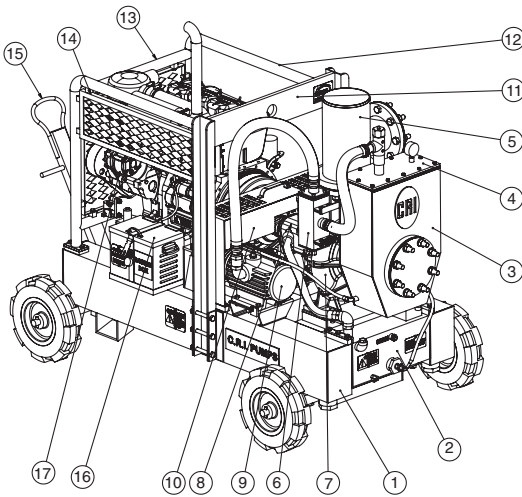
SPECIFICATIONS

	WD 100	WD 150	WD 200
Max. Flow (m ³ /hr)	200	320	500
Max. Head (m)	30	34	35
Max. Suction Lift (m)	9	9	9
Max. Pump Speed (rpm)	1800	1800	1800
Solid Handling (mm)	up to 15	up to 25	up to 50
Suction / Delivery Size (mm)	100 / 100	150 / 150	200 / 200
Engine Make	Deutz	Deutz	Deutz
Engine Model	F2 L912	F3 L912	F4 L912
Max. Engine Power (kW)	20	34	49
Max. Engine Speed (rpm)	1800	2000	1800
Vacuum Pump Displacement (cfm)	70	70	70
Vacuum Pump Lubrication	SAE 30	SAE 30	SAE 30
Fuel Tank Capacity Litres (US Gallons)	100 (26)	120 (32)	160 (42)

PERFORMANCE CURVE



PART NAME



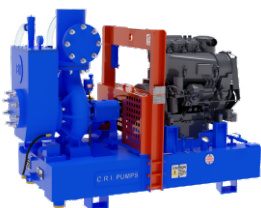
PART No.	DESCRIPTION
1	Diesel Tank Assembly
2	Oil Tank Assembly
3	Priming Tank Assembly
4	Float Valve Assembly
5	Delivery Nrv Assembly
6	Filter Box Assembly
7	Bare Shaft Assembly
8	Bearing Frame Assembly
9	Vacuum Pump Assembly
10	Coupling Guard
11	Lifting Lug
12	Engine Bumper
13	Engine Guard
14	Silencer Guard
15	Handle Lever
16	Battery Box Assembly
17	Engine

MATERIAL OF CONSTRUCTION

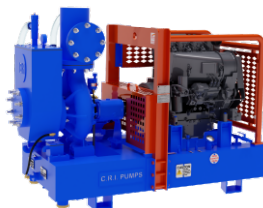
Casing	Cast Iron (With Anti-Corrosion Coating)
Impeller	CF8M
Stuffing Box	Cast Iron (With Anti-Corrosion Coating)
Shaft	SS420
Wear Ring	Bronze
Base-cum-Diesel Tank	MS
Priming Tank	MS
Discharge NRV	MS
Oil Tank	MS
Filter Box	MS

* Wetted parts MOC can be supplied in SS on request.

VARIANTS



WD-S



WD-SB



WD-SW



WD-SWB

C.R.I. PUMPS (PVT) LIMITED (International Division)

7/46-1, Keeranatham Road, Saravanampatty, Coimbatore - 641 035, India.

Phone : +91-422-7117310, 7117312. Fax : +91-422-7117300, e-mail : cri@crifluidsystems.com website : www.crifluidsystems.com